

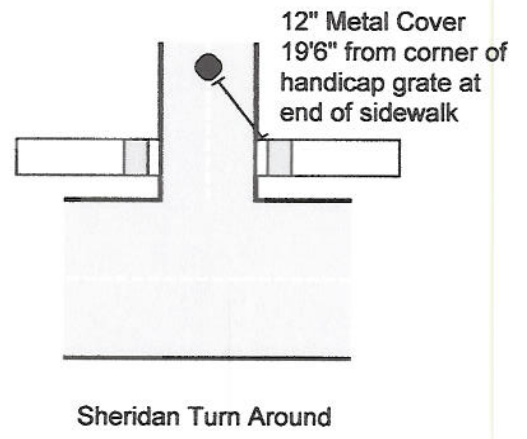
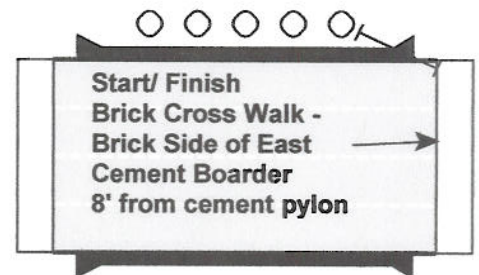
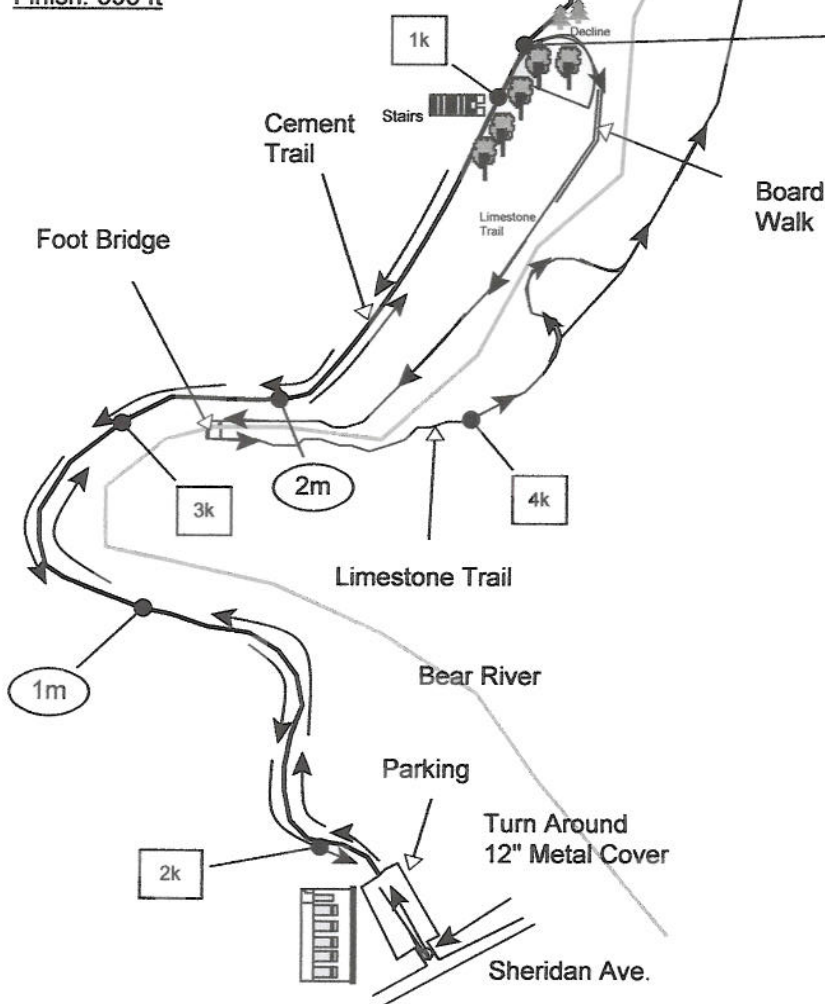
# Bear River Crawl 5k Petoskey Michigan

North  
↑



**Elevations**  
 Start: 595 ft  
 Low: 585 ft  
 High: 672 ft  
 Finish: 595 ft

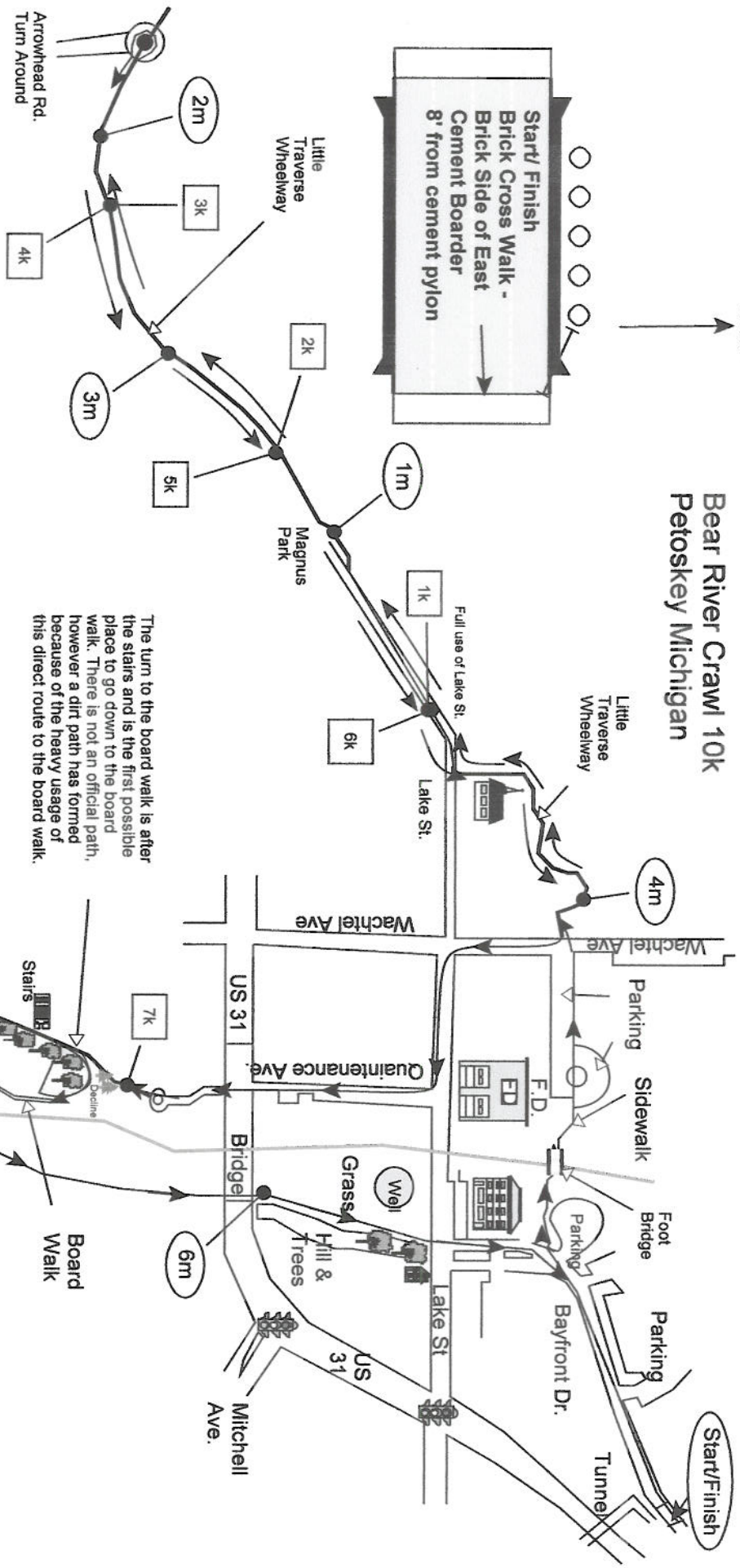
The turn to the board walk is after the stairs and is the first possible place to go down to the board walk. There is not an official path, however a dirt path has formed because of the heavy usage of this direct route to the board walk.



# Bear River Crawl 10k Petoskey Michigan

North

**Start/ Finish**  
**Brick Cross Walk -**  
**Brick Side of East**  
**Cement Boarder**  
**8' from cement pylon**



**Elevations**  
**Start: 595 ft**  
**Low: 585 ft**  
**High: 664 ft**  
**Finish: 595 ft**

The turn to the board walk is after the stairs and is the first possible place to go down to the board walk. There is not an official path, however a dirt path has formed because of the heavy usage of this direct route to the board walk.

Bridge Street Turn Around  
 132' East of where cement widens  
 when the trail goes under the  
 Bridge Street overpass

